

## GET TO KNOW YOUR MASSAGER

**Powerful Motor**  
with strong tapping force and  
50 percussions/second



**4 Speed Settings**  
LED lights indicate the  
selection; low, high, variable,  
and pressure sense

**Auto Off**  
after 10 minutes  
of massage time

**Two Lithium Ion  
Rechargeable Batteries**  
over 2 hours use time  
when fully charged

**Foam Ball Attachment**  
for large muscle groups

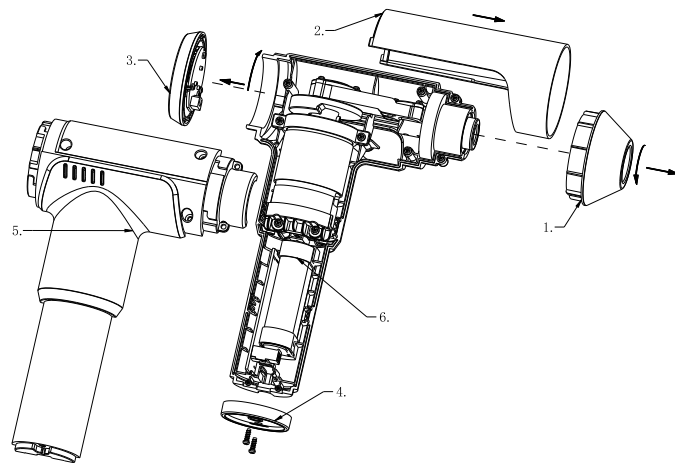
**Pinpoint  
Attachment**  
for deep tissue  
and trigger point  
massage

**Flathead Attachment**  
for full body massage

**Bonus Storage  
and Carry Case**

## HOW TO REMOVE THE BATTERY FOR RECYCLING

- 1) Rotate counterclockwise, then remove the front cover horizontally.
- 2) Remove the decorative tube horizontally.
- 3) Rotate counterclockwise, then remove the back cover horizontally.
- 4) Loosen the screws and remove the end cover.
- 5) Loosen the screws and remove the top housing.
- 6) Remove the battery.
- 6) **DO NOT** throw the battery into the normal municipal waste system.



## FEDERAL COMMUNICATIONS COMMISSION NOTICE

**WARNING:** Changes or modifications to this unit not expressly approved by the party responsible for compliance could void the user's authority to operate the equipment.

This device complies with Part 15 of the FCC Rules. Operation is subject to the following two conditions: (1) This device may not cause harmful interference, and (2) This device must accept any interference received, including interference that may cause undesired operation.

**NOTE:** This equipment has been tested and found to comply with the limits for a Class B digital device, pursuant to Part 15 of the FCC Rules. These limits are designed to provide reasonable protection against harmful interference in a residential installation. This equipment generates, uses and can radiate radio frequency energy and, if not installed and used in accordance with the instructions, may cause harmful interference to radio communications. However, there is no guarantee that interference will not occur in a particular installation. If this equipment does cause harmful interference to radio or television reception, which can be determined by turning the equipment off and on, the user is encouraged to try to correct the interference by one or more of the following measures:

- Reorient or relocate the receiving antenna.
- Increase the separation between the equipment and receiver.
- Connect the equipment into an outlet on a circuit different from that to which the receiver is connected.
- Consult the dealer or an experienced radio/TV technician for help.

## SUPPLIER'S DECLARATION OF CONFORMITY

Brand: CONAIR®

Model No.: THM001

Description: THUMPING MESSAGE GUN

Responsible Party: Conair Corporation, 1 CUMMINGS POINT ROAD,  
STAMFORD, CT 06902

1-800-334-4031

**Standards:** FCC Part 15 Subpart B, ANSI C63.4-2014

This device complies with Part 15 of the FCC Rules. Operation is subject to the following two conditions:

- (1) This device may not cause harmful interference, and
- (2) This device must accept any interference received, including interference that may cause undesirable operation.

DATE OF ISSUE: 20 MAY 2020

## LIMITED ONE YEAR WARRANTY (U.S. and Canada Only)

Conair will repair or replace (at our option) your appliance free of charge for 12 months from the date of purchase if the appliance is defective in workmanship or materials.

To obtain service under this warranty, return the defective product to the service center listed, listed together with your purchase receipt. California residents need only provide proof of purchase and should call 1-800-3-CONAIR for shipping instructions. In the absence of a purchase receipt, the warranty period will be 12 months from the date of manufacture.



**Service Center**  
Conair Corporation  
Service Department  
7475 North Glen Harbor Blvd.  
Glendale, AZ 85307

Visit us on the web at [www.conair.com](http://www.conair.com)  
©2020 Conair Corporation  
20PS073409

# POWERMASTER™

BY CONAIR



For your safety and continued enjoyment of this product, always read the instruction book carefully before using.

## CONAIRFIT™

REBOOT. RELAX. RESTORE.

INSTRUCTION BOOKLET FOR MODEL THM001

## IMPORTANT SAFETY INSTRUCTIONS

When using an electrical appliance, basic safety precautions should always be taken, including the following:

## READ ALL INSTRUCTIONS BEFORE USING

**DANGER –** To reduce the risk of electric shock:

- 1) **Always unplug this appliance from the electrical outlet immediately after using and before cleaning.**
- 2) Do not reach for an appliance that has fallen into water. **Unplug immediately.**
- 3) Do not use while bathing or in a shower. Use only in a dry area.
- 4) Do not place or store appliance where it can fall or be pulled into a tub or sink. Do not place or drop into water or other liquids.

**WARNING –** To reduce the risk of burns, fire, electric shock or injury to persons:

- 1) **An appliance should never be left unattended when plugged in. Unplug from outlet when not in use, and before putting on or taking off parts.**
- 2) This massager is not a toy!
- 3) Consult your doctor before using in case of pregnancy, illness, medical condition, or persistent pain.

- 4) Do not use on any unexplained pain or swollen muscles, or following a serious injury, before consulting your physician.
- 5) Do not use massager in close proximity to loose clothing or jewelry.
- 6) Keep long hair away from massager while in use.
- 7) Do not operate under a blanket or pillow. Excessive heating can occur and cause fire, electric shock, or injury to persons.
- 8) This appliance should not be used by, on, or near children or individuals with certain disabilities.
- 9) Use this appliance only for its intended use as described in this manual. Do not use attachments not recommended by Conair.
- 10) Never operate this appliance if it has a damaged cord or plug, if it is not working properly, or if it has been dropped or damaged, or dropped into water. Return the appliance to a service center for examination and repair.

- 11) Do not carry this appliance by the power supply cord or use the cord as a handle.
- 12) Keep the cord away from heated surfaces.
- 13) Never drop or insert any object into the product.
- 14) Do not use outdoors.
- 15) Do not operate where aerosol (spray) products are being used or where oxygen is being administered.
- 16) Ensure that your hands are dry when operating the controls or removing the plug.
- 17) To disconnect, turn all controls to the OFF position, then remove plug from outlet.
- 18) This appliance is for household use only.
- 19) Never use while sleeping or drowsy.

20) Keep out of the reach of children.

- 21) Never operate the appliance with the air openings blocked. Keep the air openings free of lint, hair, and the like. Never operate on a soft surface such as a bed or couch, where air openings may be blocked.
- 22) Use heated surface carefully. May cause serious burns. Do not use over insensitive skin areas or in the presence of poor circulation. The unattended use of heat by children or incapacitated persons may be dangerous.
- 23) Burns may result from improper use.
- 24) Temperatures sufficiently high to cause burns may occur regardless of the control setting. Do not use on an infant, individuals with certain disabilities, or on a sleeping or unconscious person. Check the skin in contact with the heated area of the appliance frequently to reduce the risk of injury.

## SAVE THESE INSTRUCTIONS

## CAUTION

- 1) **Consult your doctor before using in case of illness or medical condition, including but not limited to pacemaker use, pregnancy, cancer, infection, fracture, or persistent pain.**
- 2) Do not use if you have any of the following conditions: diabetes, tuberculosis, benign or malignant tumors, phlebitis or thrombosis, hemorrhages, open or fresh wounds, ulcerated sores, varicose veins, poor circulation or bruised, discolored, burned, broken, swollen, or inflamed skin or heat sensitivity.
- 3) This product should not be used by any individual suffering from a condition that limits or altogether inhibits the user's capacity to feel or have sensation in any part of the body.

4) Do not use this massager on or near your head, neck or throat.

- 5) If you experience pain in a muscle or joint for a prolonged period of time, discontinue use and consult your doctor. Persistent pain could be a symptom of a more serious condition.
- 6) Use of this product should be pleasant and comfortable. Should pain or discomfort result, discontinue use and consult your physician.

## OPERATING INSTRUCTIONS

### USER MAINTENANCE INSTRUCTIONS

- 1) Your massager is designed for household use, and is virtually maintenance free. No lubrication is needed. To clean the body of the massager, use a damp cloth with soap and water only. Do not use any strong chemical cleaners.
- 2) If the cord or massager is damaged or does not operate properly, return it to an authorized service center. Any required servicing should be performed by a Conair authorized service center.
- 3) Never allow the power supply cord to be excessively pulled or twisted. Inspect the cord frequently for damage. Stop use immediately if damage is visible or unit stops or operates intermittently. Never wrap the cord around the appliance.

### STORAGE

When not in use, your massager should be disconnected and stored in a safe, dry location, out of reach of children.

ANY IMPLIED WARRANTIES, OBLIGATIONS OR LIABILITIES, INCLUDING BUT NOT LIMITED TO THE IMPLIED WARRANTY OF MERCHANTABILITY AND FITNESS FOR A PARTICULAR PURPOSE, SHALL BE LIMITED IN DURATION TO THE 12-MONTH DURATION OF THIS WRITTEN, LIMITED WARRANTY. Some states do not allow limitations on how long an implied warranty lasts, so the above limitations may not apply to you.

**IN NO EVENT SHALL CONAIR BE LIABLE FOR ANY SPECIAL, INCIDENTAL OR CONSEQUENTIAL DAMAGES FOR BREACH OF THIS OR ANY OTHER WARRANTY, EXPRESS OR IMPLIED, WHATSOEVER.** Some states do not allow the exclusion or limitation of special, incidental or consequential damages, so the above limitation may not apply to you.

This warranty gives you specific legal rights, and you may also have other rights, which vary from state to state.

Please register this product at [www.conair.com/registration](http://www.conair.com/registration)

## RECOMMENDED MASSAGING TIMES

- Generally, massage should last 10 minutes on any muscle of the body. Treatment may be applied once or twice daily.
- As people's metabolisms vary, so do their responses to massage. You will soon know how to adjust the time to suit your particular needs and personal comfort. If you have any doubts regarding treatment, we recommend you consult your physician.

## HOW TO USE

- 1) Before first use, charge the massager for 5 hours.
- 2) Install desired attachment on massager head.
- 3) To familiarize yourself with the different massage modes, quickly press the power button on the back of the handle to turn the unit on. Massager will be in low setting, with the massager at slower speed. We suggest you start massaging your tight muscles at this slower setting first, without applying much pressure. Each mode is indicated by a blue LED in the back of the unit. Mode 1 shows the first blue LED.
- 4) To switch from this lower setting to the higher setting, quick-press the power button again. The massager will now operate at high speed. The back of the unit shows the second blue LED.
- 5) If you quick-press the button again, the massager enters the variable mode: speed varies continuously between low and high speed. The back of the unit shows the third blue LED.
- 6) Another quick-press lets you enter the pressure sense mode: stronger power when you press against muscles. The harder you press, the more powerful the percussion becomes. The back of the massager shows the fourth blue LED.

- 7) To turn off the massager, press the power button for 1–2 seconds. The massager will automatically turn off after 10 minutes of massage time. If you prefer a longer massage, you can simply turn the unit back on.
- 8) When not in use, your massager should be disconnected and stored in a safe, dry location, out of reach of children.
- 9) Use only the included adapter for recharging the massager.
- 10) Do not turn on or operate massager while it is plugged in and being charged.

## INDICATOR LIGHTS

- 1) Charger:
    - Blinking blue LED while charging
    - Steady blue LED when product is ready to be used
  - 2) Power indication:
    - Blue light indicates there is sufficient power for operation
    - Steady red light indicates that the massager has about 20% of power left
    - Blinking red light indicates that there is less than 10% power left
    - If you see no indicator light, the battery has no power and needs to be charged
- NOTE:** Do not charge the battery in temperatures below 32 degrees F/0 degrees C.

## BODY MESSAGE

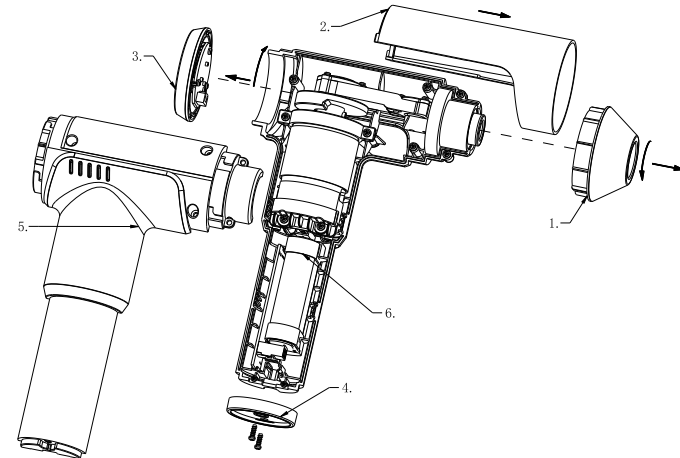
- Chest:**  
Massage from center of chest outward and up toward each shoulder.
- Back:**  
Massage from top of spine to bottom, around shoulder blades and from center outward.
- Abdomen:**  
Massage from center outward, in a gentle, circular motion to relax abdominal muscles.
- Legs:**  
Begin at calf, moving up in a circular motion; continue to thighs.
- Hands and Arms:**  
Begin by gently massaging palms of hands and fingers; move upward to forearms in a circular motion, then up to biceps and shoulder muscles.
- Feet:**  
Massage from the heel to the toes in a tight, circular motion.
- Do not use this massager on or near the head, neck or throat.**

## FAMILIARÍCESE CON SU MASAJEADOR



## CÓMO RETIRAR LA BATERÍA PARA SU RECICLAJE

- 1) Gire la cubierta frontal en el sentido antihorario, y luego júlela horizontalmente para quitarla.
- 2) Jale el tubo decorativo horizontalmente para quitarlo.
- 3) Gire la cubierta trasera en el sentido antihorario, y luego júlela horizontalmente para retirarla.
- 4) Afloje los tornillos y quite la cubierta inferior.
- 5) Afloje los tornillos y quite la parte superior de la carcasa.
- 6) Retire la batería.
- 6) **NO** tire la batería con el resto de la basura.



## AVISO DE LA COMISIÓN FEDERAL DE COMUNICACIONES

**ADVERTENCIA:** Se advierte que las modificaciones no aprobadas expresamente por la autoridad competente en materia de conformidad podrían rescindir el permiso del usuario para operar el equipo.

Este artefacto cumple con la Sección 15 de la Normativa FCC. Su funcionamiento está sujeto a las dos condiciones siguientes: (1) Este artefacto no puede causar ninguna interferencia perjudicial, y (2) Este artefacto debe aceptar cualquier interferencia recibida, incluso aquellas que pueden causar un funcionamiento no deseado.

**NOTA:** Este equipo ha sido probado y se ha determinado que cumple con los límites de un dispositivo digital de Clase B, según la Sección 15 de la Normativa FCC. Estos límites han sido concebidos para proporcionar una protección razonable contra interferencias perjudiciales en las instalaciones de edificios. Este equipo genera, usa y puede irradiar energía de radiofrecuencia (RF) y, si no ha sido instalado o usado conforme a las instrucciones, puede ocasionar interferencias perjudiciales para las comunicaciones por radio. No obstante, no hay garantía de que aquellas interferencias no ocurran en una instalación particular.

Si este equipo produce alguna interferencia perjudicial en la recepción de radio o televisión, lo que podrá determinarse encendiendo y apagando el equipo, se recomienda tratar de corregir la interferencia, adoptando una o más de las siguientes medidas:

- Reorientar o reubicar la antena receptora.
- Aumentar la distancia entre el equipo y el receptor.
- Conectar el equipo a un circuito distinto al que esté conectado el receptor.
- Consultar con el distribuidor o un técnico especializado en radio/TV.

## DECLARACIÓN DE CONFORMIDAD DEL PROVEEDOR

Marca: CONAIR®

Modelo: THM001

Descripción: MASAJEADOR DE PERCUSIÓN

Parte responsable: Conair Corporation, 1 CUMMINGS POINT ROAD, STAMFORD, CT 06902

1-800-334-4031

**Normas:** Normas de la FCC, Sección 15, subsección B, ANSI C63.4-2014

Este artefacto cumple con la Sección 15 de la Normativa FCC. Su funcionamiento está sujeto a las dos condiciones siguientes:

(1) Este artefacto no puede causar ninguna interferencia perjudicial.

(2) Este artefacto debe aceptar cualquier interferencia recibida, incluso aquellas que pueden causar un funcionamiento no deseado.

FECHA DE PUBLICACIÓN: 20 DE MAYO DE 2020

## GARANTÍA LIMITADA DE UN AÑO (válida en los EE.UU. y en Canadá solamente)

Conair reparará o reemplazará (a su opción) este producto sin cargo por un período de 12 meses a partir de la fecha de compra si presenta defectos de fabricación o materiales.

Para obtener servicio técnico bajo esta garantía, devuelva el producto defectuoso al Centro de Servicio al público indicado a continuación, junto con su recibo de compra. Los residentes de California solo necesitan dar una prueba de compra y deben llamar al 1-800-3-CONAIR para recibir instrucciones de envío. En ausencia del recibo de compra, el período de garantía será de 12 meses a partir de la fecha de fabricación.



Deje de usar el aparato inmediatamente si el cable está visiblemente dañado, o si el aparato deja de funcionar, o funciona de manera intermitente. Nunca enrolle el cable alrededor del aparato;

### ALMACENAJE

Después de usar el aparato, desenchúfelo, permita que se enfríe y guárdelo en un lugar seco y seguro, fuera del alcance de los niños.

### DURACIÓN RECOMENDADA DEL MASAJE

- En términos generales, un masaje no debería exceder 10 a 20 minutos en un área particular del cuerpo. Sin embargo, el tratamiento se puede repetir una vez al día.

- Cada persona responde al masaje de manera diferente, porque el metabolismo de cada persona es diferente. No demorará en encontrar la duración que más le conviene, para disfrutar cómodos masajes. Le recomendamos que pida consejo a su médico si tiene alguna pregunta médica relativa al uso de este producto.

### MODO DE EMPLEO

1) Antes del primer uso, cargue la masajeador durante 5 horas.

2) Instale el Accesorio deseado sobre el cabezal.

3) Para familiarizarse con los diferentes modos de masaje, presione rápidamente el botón de encendido en la parte posterior del mango para encender la unidad. Cuando encienda el masajeador, siempre se enciende en la velocidad baja. Le aconsejamos que use la velocidad baja para masajear los músculos tensos, sin aplicar mucha presión. Las luces LED atrás de la unidad indican el modo usado. Cuando use la velocidad baja, la primera luz LED azul se encenderá.

4) Para pasar de la velocidad baja a la velocidad alta, presione el botón de encendido otra vez. El masajeador funcionará ahora a alta velocidad. La segunda luz LED azul se encenderá.

5) Si presiona el botón de encendido otra vez, el masajeador pasa al modo

variable, en el cual la velocidad varía constantemente entre baja y alta. La tercera luz LED azul se encenderá.

6) Si presiona el botón de encendido otra vez, el masajeador pasa al modo inteligente Pressure Sense, que ajusta la intensidad del masaje según la presión que usted emplea para masajear. Cuanto más presione el masajeador en la piel, más intensos serán el masaje y las percusiones. La cuarta luz LED azul se encenderá.

7) Para apagar el masajeador, mantenga presionado el botón de encendido por 1 a 2 segundos. El masajeador se apagará automáticamente después de 10 minutos de uso.

Si desea continuar el masaje, simplemente vuelva a encender la unidad.

8) Después del uso, desenchufe el aparato, permita que se enfríe y guárdelo en un lugar seco y seguro, fuera del alcance de los niños.

9) olo use el adaptador provisto para cargar la unidad.

10) No encienda o use el masajeador mientras está enchufado o cargándose.

### INDICADORES LUMINOSOS

1) Cargador:

- luz azul intermitente = la unidad se está cargando
- luz azul permanente = la unidad está lista para su uso

2) Nivel de energía:

- Luz azul = hay suficiente energía para el funcionamiento
- luz roja permanente = 20 % de energía
- luz roja intermitente = 10 % de energía
- Luces apagadas = 0 % de energía; la batería necesita ser cargada

**NOTA:** No cargue la batería en temperaturas inferiores a 32 °F (0 °C).

# POWERMASTER™

BY CONAIR



Para su seguridad y para disfrutar plenamente de este producto, siempre lea cuidadosamente las instrucciones antes del uso.

## CONAIRFIT™

REBOOT. RELAX. RESTORE.

INSTRUCCIONES DE USO DEL MODELO THM001

IB-16829

## MEDIDAS DE SEGURIDAD IMPORTANTES

Al usar aparatos eléctricos, siempre debe tomar precauciones básicas de seguridad, entre ellas las siguientes:

## LEA TODAS LAS INSTRUCCIONES ANTES DE USARLO

**PELIGRO** — Para reducir el riesgo de descarga eléctrica:

1) **Siempre desenchufe el aparato inmediatamente después del uso y antes de limpiarlo.**

2) No trate de alcanzar el aparato después de que se haya caído al agua; **desenchúfelo inmediatamente.**

3) No lo use en el baño o la ducha. Úselo solamente en un lugar seco.

4) No coloque ni guarde el aparato donde pueda caerse o ser empujado a una bañera o un lavabo. No coloque el aparato ni lo deje caer al agua u otro líquido.

**ADVERTENCIA** — Para reducir el riesgo de quemaduras, descarga eléctrica, incendio o heridas:

1) **Nunca descuide/deje el aparato sin vigilancia mientras está conectado. Desenchúfelo inmediatamente después del uso y antes de instalar/sacar accesorios.**

2) ¡Este aparato no es un juguete!

3) Pida consejo a su médico antes de usar este aparato si está embarazada o padece de cualquier enfermedad, condición médica o dolor persistente.

4) Pida consejo a su médico antes de usar este producto si sufre de dolores inexplicables, si tiene músculos hinchados o después de una herida muscular grave.

5) Mantenga las prendas sueltas y las joyas/alhajas alejadas del aparato durante el uso.

6) Mantenga el cabello largo alejado del aparato durante el uso.

7) No haga funcionar este aparato debajo de una manta o de una almohada; esto puede provocar un calentamiento y presentar un riesgo de incendio, descarga eléctrica o heridas.

8) Este aparato no debe ser usado por, en o cerca de niños o personas con ciertas discapacidades.

9) Use este aparato únicamente con el propósito para el cual fue diseñado y solamente según las instrucciones. Solo use accesorios recomendados por Conair.

10) No use este aparato si el cable o el enchufe están dañados, si no funciona correctamente, si está dañado, o después de que se haya caído, incluso en el agua; devuélvalo a un centro de servicio autorizado para su revisión y reparación.

11) No agarre ni transporte el aparato por el cable.

12) Mantenga el cable alejado de superficies calientes.

13) Nunca deje caer ni inserte ningún objeto en ninguna de las aberturas.

14) No lo use en exteriores.

15) No lo haga funcionar donde se estén usando productos en aerosol (spray) o donde se esté administrando oxígeno

16) Nunca toque los controles, conecte ni desconecte el cable con las manos mojadas.

17) Ponga todos los controles en la posición de apagado ("OFF") antes de desenchufar la unidad.

18) Para uso doméstico solamente.

19) No lo use mientras duerme o está adormilado/a.

20) Manténgalo fuera del alcance de los niños.

21) Nunca use el aparato si los orificios de ventilación están obstruidos.

Mantenga los orificios de ventilación libres de pelusas, cabellos y elementos similares. Nunca haga funcionar el aparato sobre una superficie blanda, tal como una cama o un sofá, donde los orificios de ventilación se puedan obstruir.

22) Tenga cuidado al tocar las superficies calientes; ya que pueden causar quemaduras graves. No lo emplee en áreas insensibles o en caso de insuficiencia circulatoria. El uso sin supervisión de este producto por niños o personas discapacitadas puede ser peligroso

23) El uso inadecuado de este producto puede causar quemadura

24) Pueden ocurrir quemaduras, cualquiera que sea la temperatura usada. No lo emplee en bebés, personas con ciertas discapacidades o personas dormidas o inconscientes. Para evitar el riesgo de heridas, examine la piel en contacto con la superficie caliente frecuentemente.

## GUARDE ESTAS INSTRUCCIONES

## PRECAUCIONES

1) **Pida consejo a su médico antes de usar este aparato si está embarazada o padece de cualquier condición médica, incluso, entre otros, problemas cardíacos, cáncer, infección, fractura de hueso o dolor persistente.**